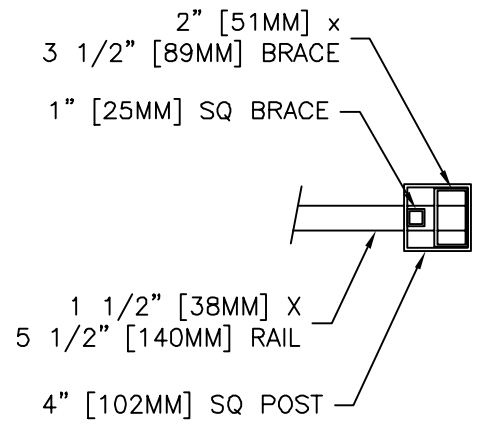
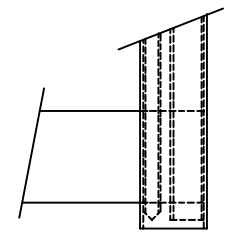


GATE SECTION ELEVATION



NOM HEIGHT (H)
73 1/2 [1867]

NOTES: 1. METRIC DIMENSIONS ARE NOMINAL EQUIVALENTS TO U.S. DIMENSIONS.
 2. SPECIFICATIONS SHOWN CAN BE CHANGED BY MASTER HALCO ONLY.



LEGEND VINYL SERIES
 by Master Halco
 Orange, CA
 Phone No.: 800-229-5615
 www.FenceOnline.com

PRIVACY STYLE GATE
 NOM 3'-8 1/2" SECTION LENGTH

BY: TJZ
 DATE: 5-22-06
 REV: A
 REV DATE: 09-20-06

DWG: —
 LAYER: 1
 SCALE: 1/2" = 1'-0"