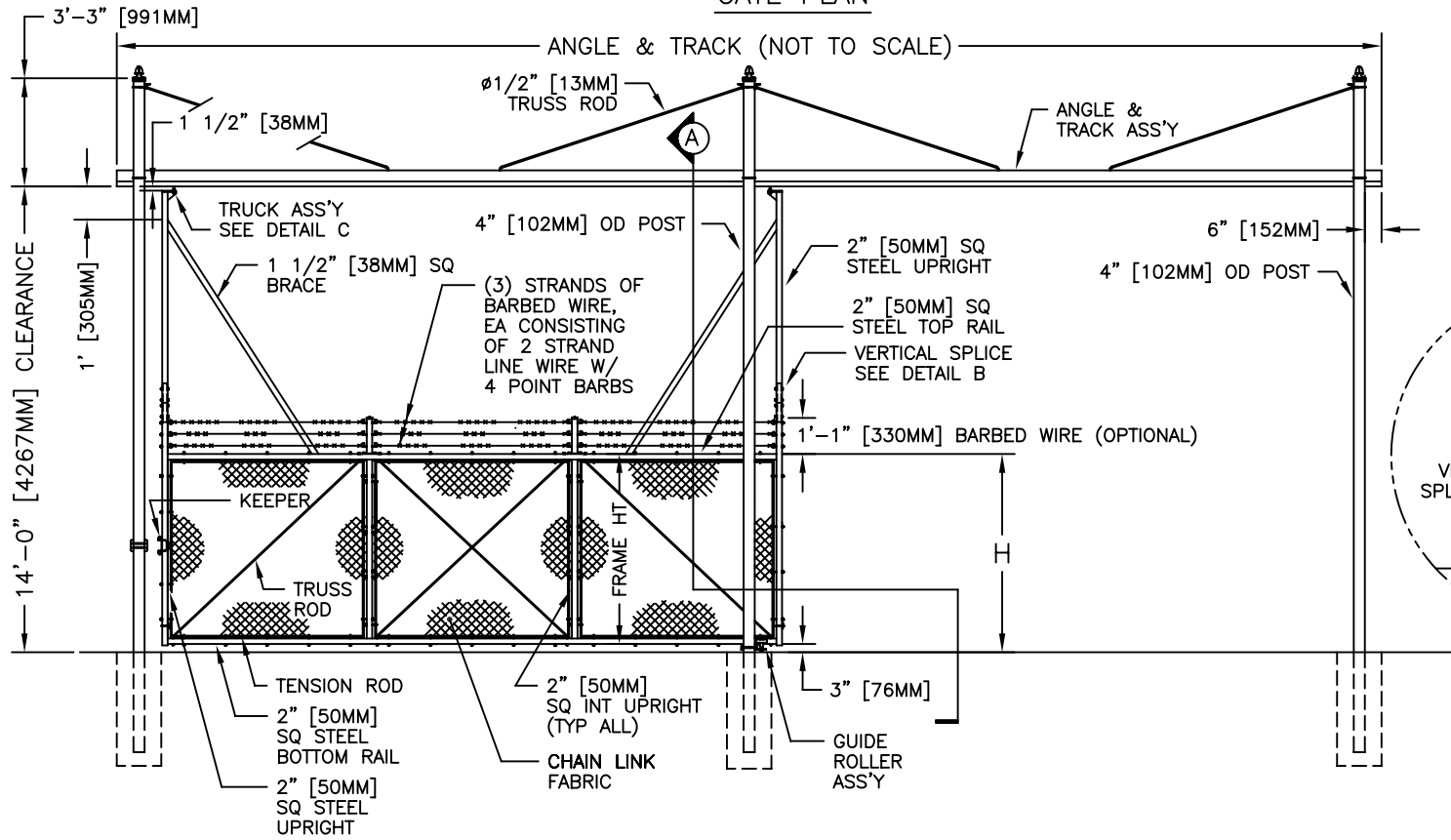


GATE PLAN



DETAIL B
(5X SCALE)

GATE ELEVATION - (3) BAYS SHOWN
SEE SHEET #2 FOR SECTIONS & DETAILS

POST TOP OPTIONS

STANDARD	DOMED

NOTES:

1. METRIC DIMENSIONS ARE NOMINAL EQUIVALENTS TO U.S. DIMENSIONS.
2. SPECIFICATIONS SHOWN CAN BE CHANGED BY MASTER HALCO ONLY.
3. FOOTING WIDTH TO BE (4)X POST WIDTH. MINIMUM DEPTH 36" [914MM].
4. GATES MAY BE MANUALLY OR ELECTRICALLY OPERATED. HARDWARE WILL VARY FOR ELECTRICALLY OPERATED GATES.

OPENING
12'-0" [3658MM]
THRU
24'-0" [7315MM]

NOM HEIGHT (H) +1'-1" FOR B/W
6'-0" [1829MM]
7'-0" [2134MM]
8'-0" [2438MM]



ANCHOR FENCE PRODUCTS
by Master Halco
Orange, CA
Phone No.: 800-229-5615
www.FenceOnline.com

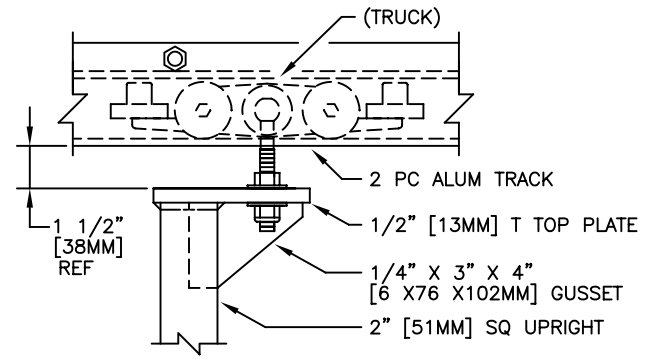
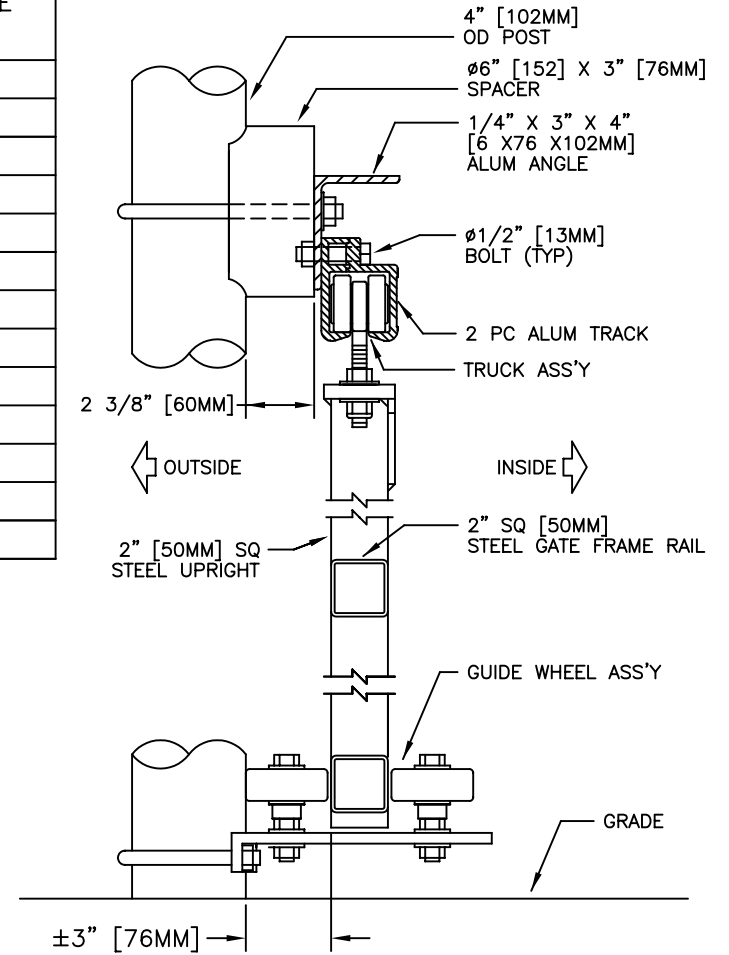
SINGLE OVERHEAD SLIDING GATE

ROUND POSTS, W/ BARBED WIRE

BY:	JRR
DATE:	12-22-99
REV:	E
REV DATE:	08-25-06

DWG:	7-1320	
LAYER:	1	SHEET 1
SCALE:	1" = 6'-0" (1:72)	

OPENING	LENGTH (L)	GATEPOSTS	ANGLE & TRACK	BAYS
I/S POST FACE TO I/S POST FACE	O/S DIM OF GATE LEAF	O/S POST FACE TO O/S POST FACE	O/S LENGTH DIM OF ANGLE W/ TRACK	NUMBER OF BAYS IN GATE FRAME
12'-0" [3658MM]	13'-0" [3962MM]	12'-8" [3861MM]	26'-0" [7925MM]	(2) TWO
13'-0" [3962MM]	14'-0" [4267MM]	13'-8" [4166MM]	28'-0" [8534MM]	(2) TWO
14'-0" [4267MM]	15'-0" [4572MM]	14'-8" [4470MM]	30'-0" [9144MM]	(2) TWO
15'-0" [4572MM]	16'-0" [4877MM]	15'-8" [4775MM]	32'-0" [9754MM]	(2) TWO
16'-0" [4877MM]	17'-0" [5182MM]	16'-8" [5080MM]	34'-0" [10363MM]	(3) THREE
17'-0" [5182MM]	18'-0" [5486MM]	17'-8" [5385MM]	36'-0" [10973MM]	(3) THREE
18'-0" [5486MM]	19'-0" [5791MM]	18'-8" [5690MM]	38'-0" [11582MM]	(3) THREE
19'-0" [5791MM]	20'-0" [6096MM]	19'-8" [5994MM]	40'-0" [12192MM]	(3) THREE
20'-0" [6096MM]	21'-0" [6401MM]	20'-8" [6299MM]	42'-0" [12802MM]	(3) THREE
21'-0" [6401MM]	22'-0" [6706MM]	21'-8" [6604MM]	44'-0" [13411MM]	(3) THREE
22'-0" [6706MM]	23'-0" [7010MM]	22'-8" [6909MM]	46'-0" [14021MM]	(3) THREE
23'-0" [7010MM]	24'-0" [7315MM]	23'-8" [7214MM]	48'-0" [14630MM]	(3) THREE
24'-0" [7315MM]	25'-0" [7620MM]	24'-8" [7518MM]	50'-0" [15240MM]	(4) FOUR



DETAIL C - TRUCK ASS'Y
(10X SCALE)

SEE SHEET #1
FOR ELEV & PLAN

SECTION A
(10X SCALE)



ANCHOR FENCE PRODUCTS
by Master Halco
Orange, CA
Phone No.: 800-229-5615
www.FenceOnline.com

SINGLE OVERHEAD SLIDING GATE
ROUND POSTS, W/ BARBED WIRE

BY: JRR	DWG: 7-1320
DATE: 12-22-99	
REV: E	LAYER: 2 SHEET 2
REV DATE: 08-25-06	SCALE: 1" = 6'-0" (1:72)