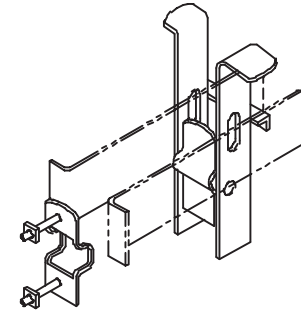
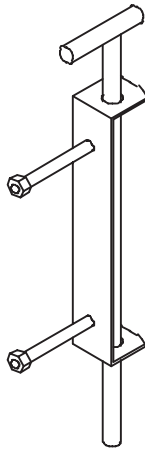


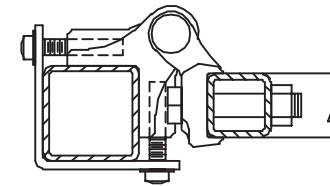
(A) SINGLE GATE (FULCRUM) LATCH



(B) DOUBLE GATE (FULCRUM) LATCH



(C) DROP ROD COMPLETE ASSEMBLY



(D) SQUARE POST HINGE ASSEMBLY

FOR POSTS:  
 2 1/2" [64MM], 3" [76MM],  
 4" [102MM], 6" [152MM], SQUARE

NOTES:

1. METRIC DIMENSIONS ARE NOMINAL EQUIVALENTS TO U.S. DIMENSIONS.
2. SPECIFICATIONS SHOWN CAN BE CHANGED BY MASTER-HALCO ONLY.



**MONUMENTAL IRON WORKS**  
 by Master Halco  
 Orange, CA  
 Phone No.: 800-229-5615  
 www.FenceOnline.com

SWING GATES

DETAILS

BY:	JRR
DATE:	01-17-96
REV:	C
REV DATE:	06-18-98

DWG:	6-4990
LAYER:	1
SCALE:	1/2" = 1'