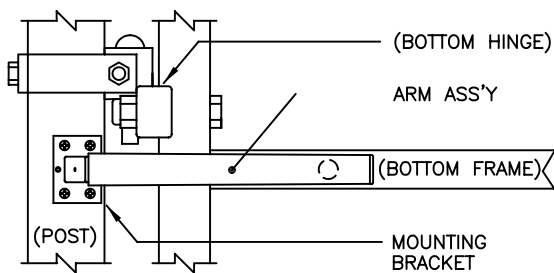
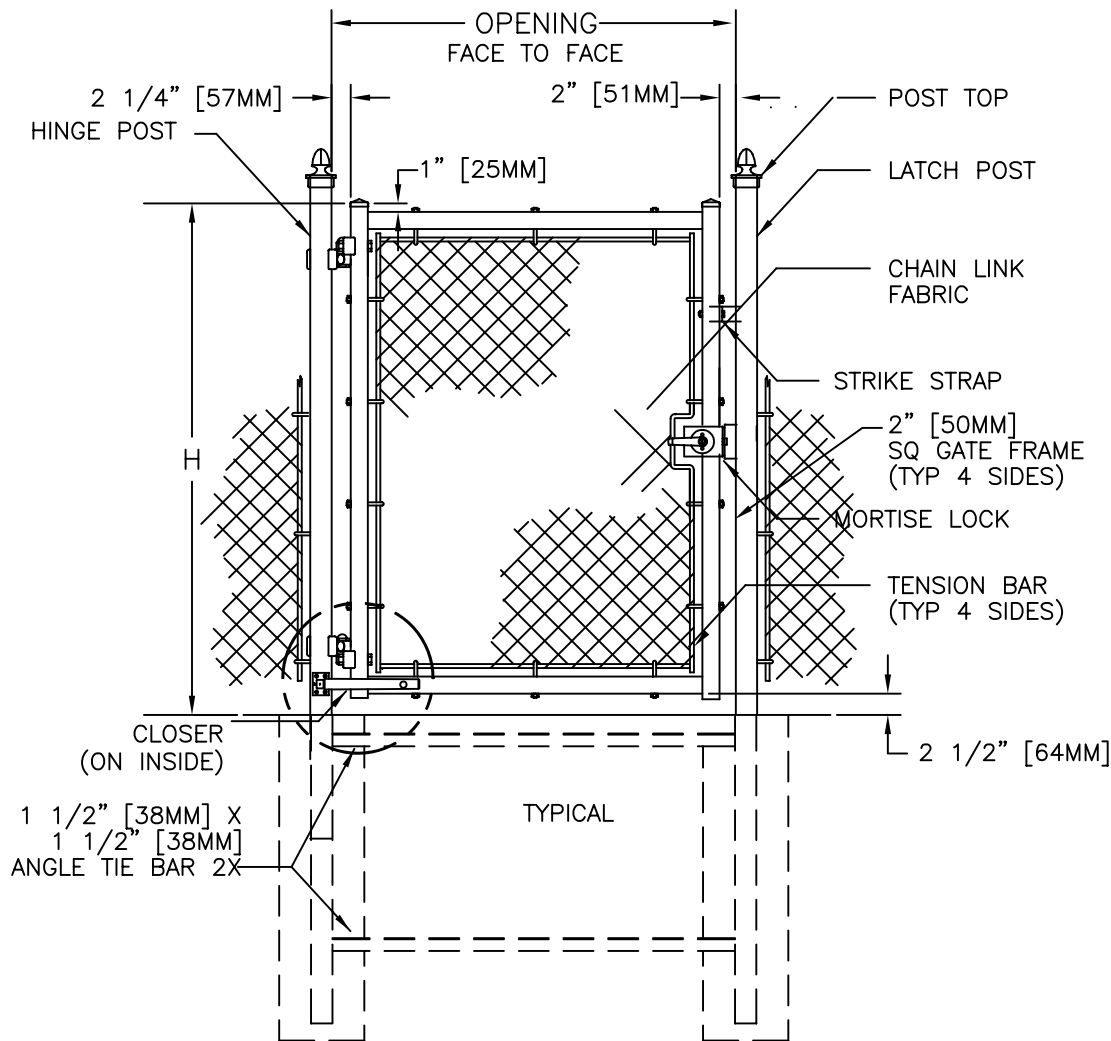


SCHLAGE COMMERCIAL
MORTISE LOCK L9066
(3X SCALE)



AUTOMATIC GATE CLOSER
NEW DANCE #SG143
(3X SCALE)



GATE ELEVATION

NOTES:

1. METRIC DIMENSIONS ARE NOMINAL EQUIVALENTS TO U.S. DIMENSIONS.
2. SPECIFICATIONS SHOWN CAN BE CHANGED BY MASTER HALCO ONLY.
3. FOOTING WIDTH TO BE (4)X POST WIDTH.
4. GATES MAY BE MANUALLY OR ELECTRICALLY OPERATED. HARDWARE WILL VARY FOR ELECTRICALLY OPERATED GATES.

NOM HEIGHT (H)
3'-0" [914MM]
3'-6" [1067MM]
4'-0" [1219MM]
5'-0" [1524MM]

OPENING (F/F)
3'-0" [914MM]
3'-6" [1067MM]
4'-0" [1219MM]