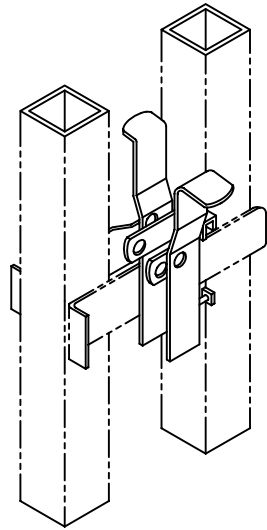
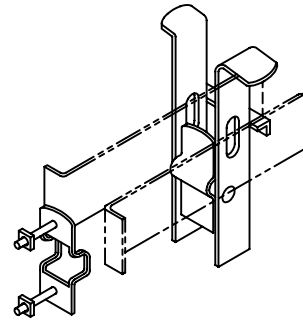


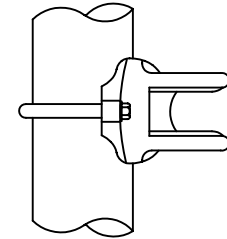
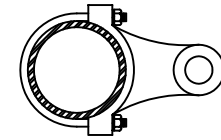
(A) GATE HOLDBACK



(B) SINGLE GATE LATCH

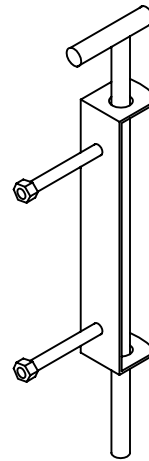


(C) DOUBLE GATE LATCH

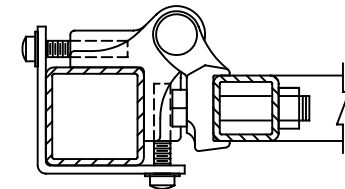


(D) ROUND POST HINGE

FOR 3" [76MM], 4" [102MM],
6 5/8" [168MM],
8 5/8" [219MM] AND
10 3/4" [273MM]
OD POSTS



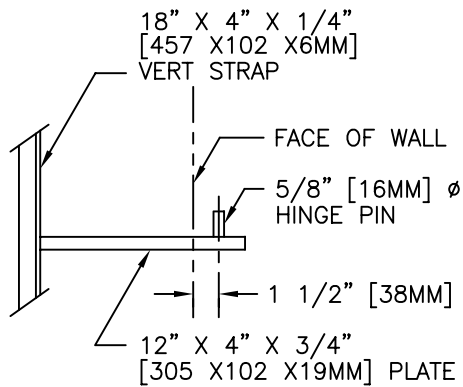
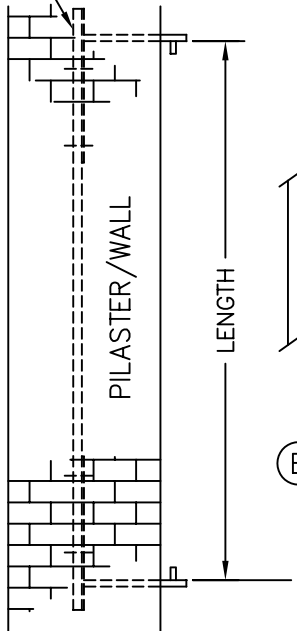
(F) DROP BAR



(G) SQUARE POST HINGE

FOR POSTS:
2 1/2" [64MM], 3" [76MM],
4" [102MM], 6" [152MM],
8" [203MM] AND
10" [254MM] SQ

1" [25MM] SQ TUBE
VERT SPACER



(E) PILASTER/WALL HINGE

NOTES:

1. METRIC DIMENSIONS ARE NOMINAL EQUIVALENTS TO U.S. DIMENSIONS.
2. SPECIFICATIONS SHOWN CAN BE CHANGED BY MASTER HALCO ONLY.



ANCHOR FENCE PRODUCTS
by Master Halco
Orange, CA
Phone No.: 800-229-5615
www.FenceOnline.com

SWING GATES

SQUARE & ROUND POST DETAILS

BY:	JRR	DWG:	3-1005
DATE:	01-16-96	LAYER:	1
REV:	C	SCALE:	1/2" = 1'
REV DATE:	08-25-06		