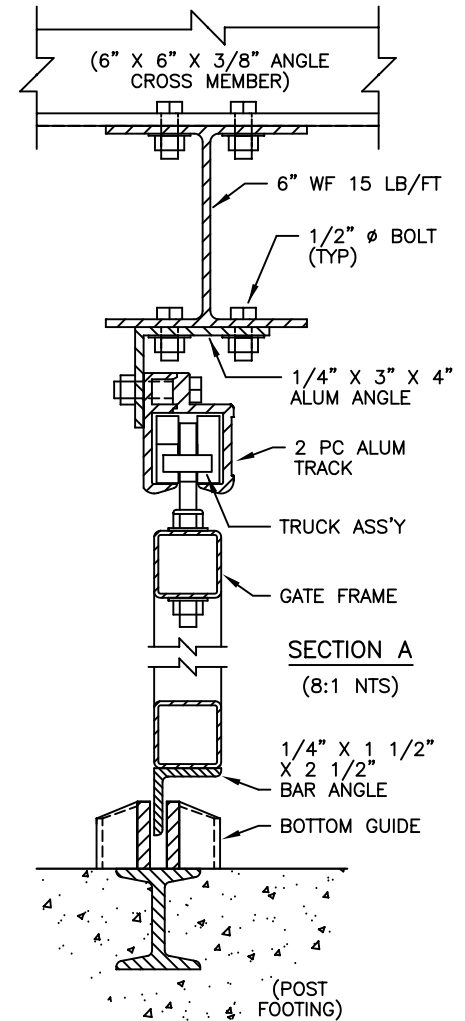
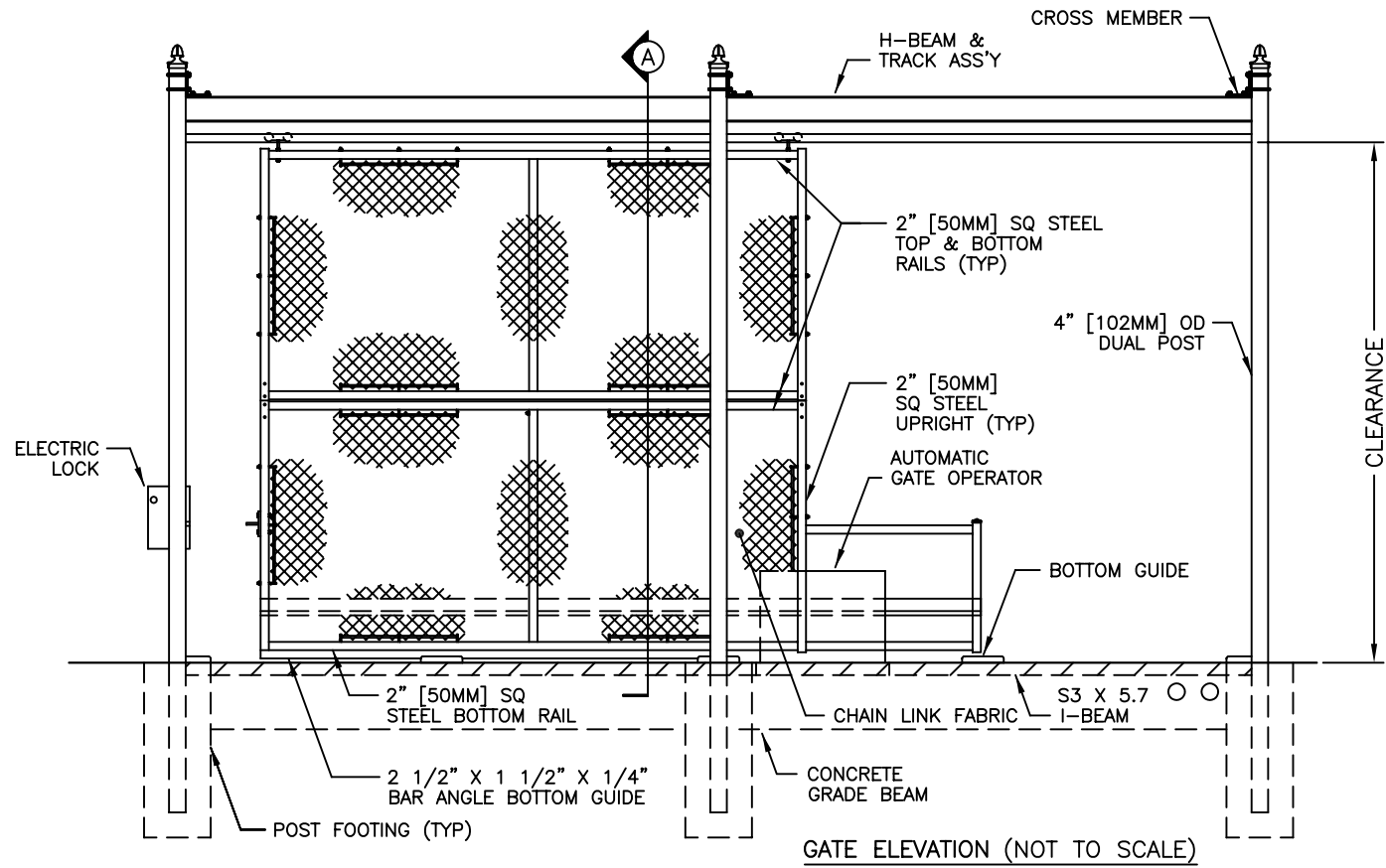


GATE PLAN (NOT TO SCALE)



SECTION A
(8:1 NTS)



GATE ELEVATION (NOT TO SCALE)

- NOTES: 1. METRIC DIMENSIONS ARE NOMINAL EQUIVALENTS TO U.S. DIMENSIONS.
 2. SPECIFICATIONS SHOWN CAN BE CHANGED BY MASTER HALCO ONLY.
 3. FOOTING WIDTH TO BE (4)X POST WIDTH. MINIMUM DEPTH 36" [914MM].

| OPENING | |
|------------------|------|
| 6'-0" [1829MM] | THRU |
| 22'-0" [6706 MM] | |



ANCHOR FENCE PRODUCTS
 by Master Halco
 Orange, CA
 Phone No.: 800-229-5615
 www.FenceOnline.com

SINGLE OVERHEAD SLIDING GATE
 HIGH SECURITY - ROUND POSTS

| | |
|--------------------|---------------------|
| BY: JRR | DWG: 2-5110 |
| DATE: 04-11-96 | |
| REV: D | LAYER: 1 SHEET 1 |
| REV DATE: 08-25-06 | SCALE: 1/4" = 1'-0" |

16