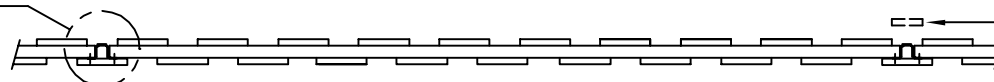


PLAN DETAIL
(4X SCALE)

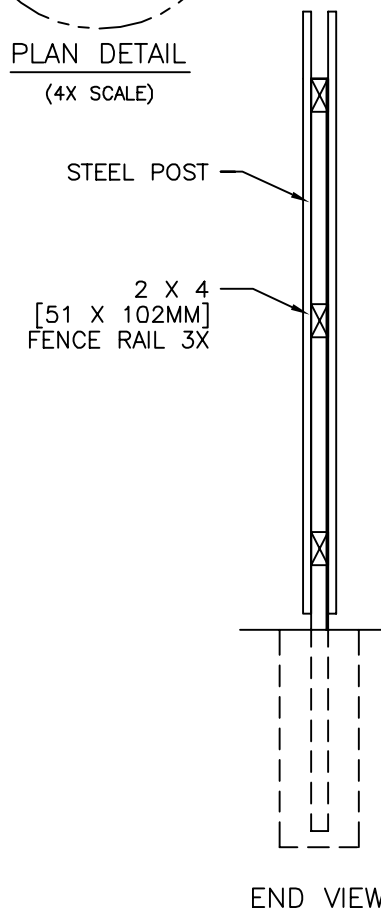
STEEL POST
2 X 4 FENCE RAIL
1 X 6 [25 X 152MM] FENCE BOARD



PLAN

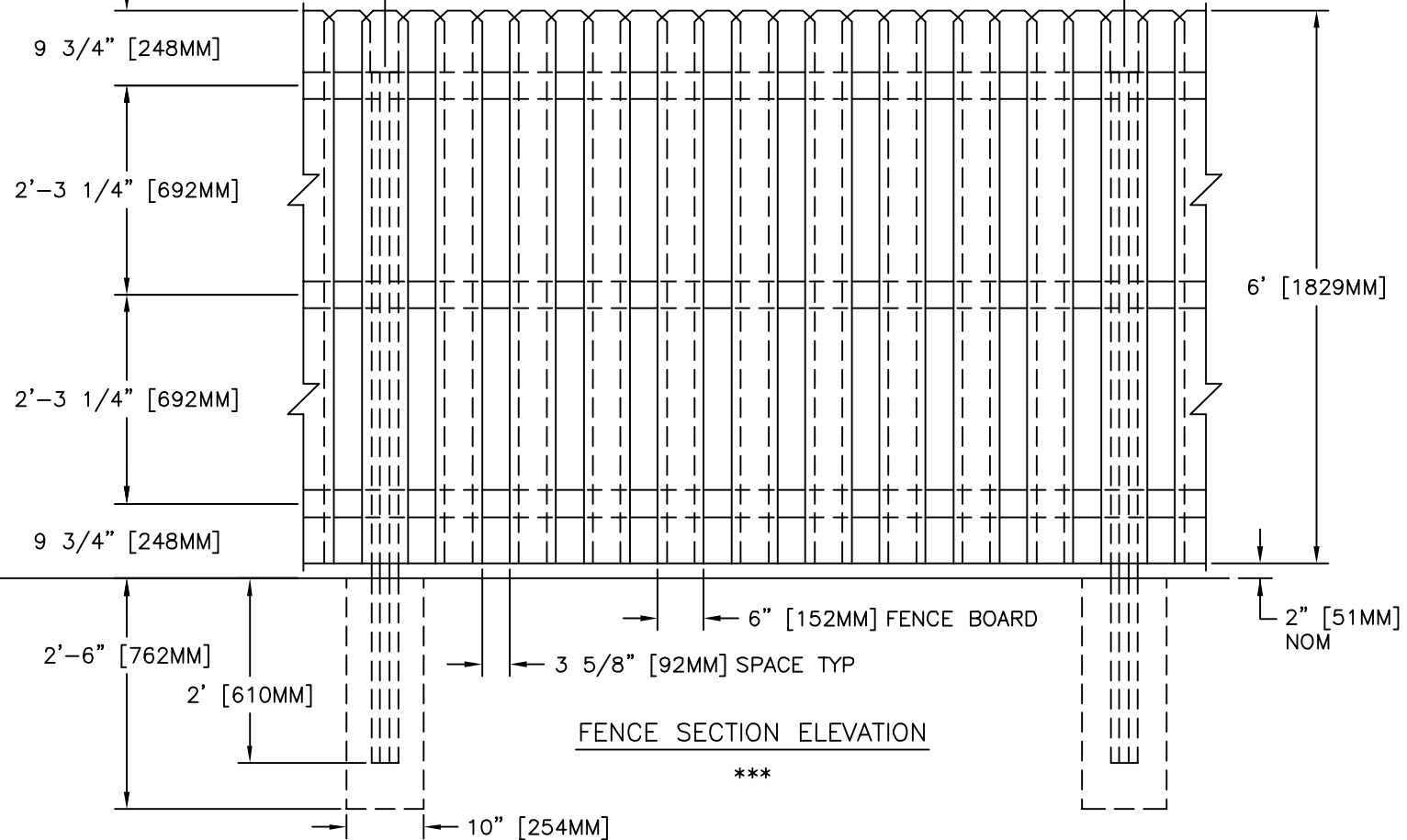
OPTIONAL POST COVER
1 X 4
[25 X 102MM]

8'-0" [2438MM] SECTION WIDTH CTR TO CTR
(10 BOARDS & 10 SPACES)



END VIEW

STEEL POST
2 X 4 [51 X 102MM] FENCE RAIL 3X



FENCE SECTION ELEVATION

- NOTES: 1. METRIC DIMENSIONS ARE NOMINAL EQUIVALENTS TO U.S. DIMENSIONS.
2. SPECIFICATIONS SHOWN CAN BE CHANGED BY MASTER HALCO ONLY.
3. FOOTING WIDTH TO BE 10" [254MM]. MINIMUM DEPTH 30" [762MM].
4. DIMENSIONS SHOWN ARE NOMINAL FOR WOOD.



POSTMASTER STEEL POSTS
for Wood Fence Systems
by Master Halco
Orange, CA
Phone No.: 800-229-5615
www.FenceOnline.com

6' SHADOWBOX FENCE DETAIL
STYLE: DOG EARED
NOM 6' [1829MM] FENCE HEIGHT
1 X 6 [25 X 152MM] FENCE BOARDS

BY: JRR
DATE: 01-25-99
REV: E
REV DATE: 09-22-06

DWG: 10-1110
LAYER: 1
SCALE: 1/2" = 1'-0"