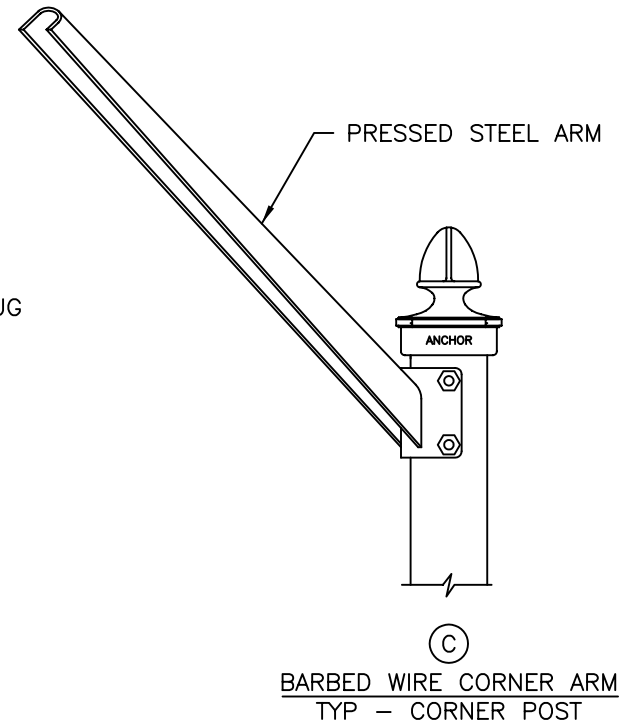
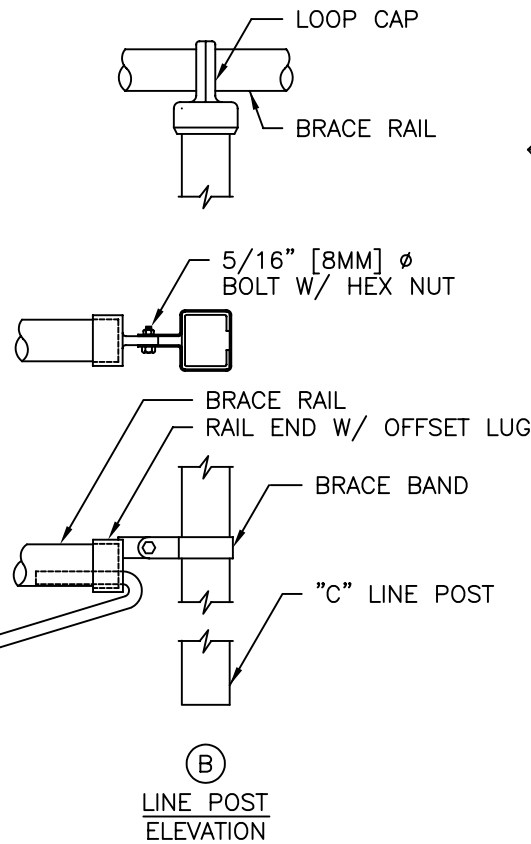
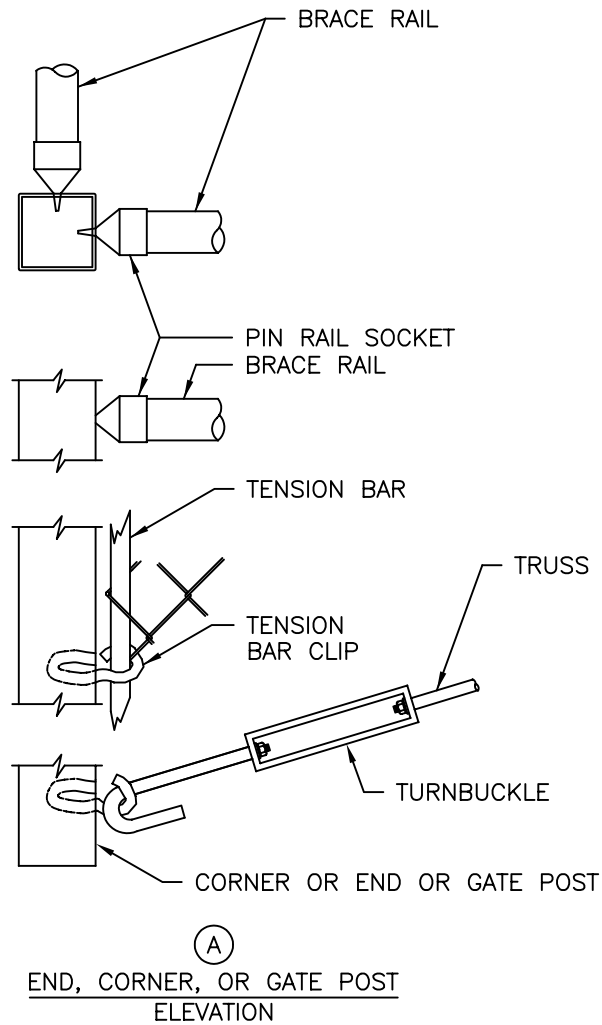


SQUARE TERMINAL POSTS



NOTES:

1. METRIC DIMENSIONS ARE NOMINAL EQUIVALENTS TO U.S. DIMENSIONS.
2. SPECIFICATIONS SHOWN CAN BE CHANGED BY MASTER HALCO ONLY.
3. ALL MATERIAL TO CONFORM TO FEDERAL SPEC RR-F-191G (1-25-74).
4. ALL GALVANIZED FITTINGS TO CONFORM TO ASTM-A153.
5. THIS DWG CORRESPONDS WITH DWGS 1-1010, 1-1020, 1-1030 & 1-1040.



ANCHOR FENCE PRODUCTS
by Master Halco
Orange, CA
Phone No.: 800-229-5615
www.FenceOnline.com

TYPICAL HIGH FENCE

SQUARE POST DETAILS

BY:	JRR	DWG:	1-1005
DATE:	10-03-95	LAYER:	1
REV:	C	SCALE:	1 1/2" = 1'-0"
REV DATE:	08-25-06		