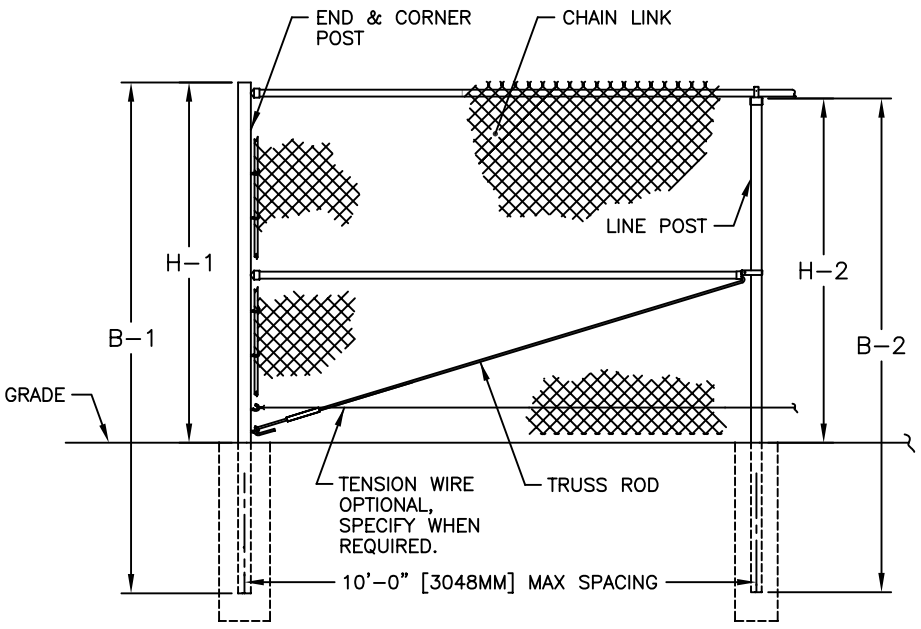


FENCE SECTION ELEVATION
WITHOUT TOP RAIL & WITHOUT BARBED WIRE



FENCE SECTION ELEVATION
WITH TOP RAIL & WITHOUT BARBED WIRE

FENCE HEIGHT NOMINAL HEIGHT	END & CORNER POSTS		LINE POSTS	
	B-1 BAR LENGTH	H-1 HEIGHT ABOVE GRADE	B-2 BAR LENGTH	H-2 HEIGHT ABOVE GRADE
5'-0" [1524MM]	8'-0" [2438MM]	5'-0 5/8" [1540MM]	7'-8" [2337MM]	4'-8 7/8" [1445MM]
6'-0" [1829MM]	9'-0" [2743MM]	6'-0 5/8" [1845MM]	8'-8" [2642MM]	5'-8 7/8" [1749MM]
7'-0" [2134MM]	10'-0" [3048MM]	7'-0 5/8" [2150MM]	9'-8" [2946MM]	6'-8 7/8" [2054MM]
8'-0" [2438MM]	11'-0" [3353MM]	8'-0 5/8" [2454MM]	10'-8" [3251MM]	7'-8 7/8" [2359MM]
9'-0" [2743MM]	12'-0" [3658MM]	9'-0 5/8" [2759MM]	11'-8" [3556MM]	8'-8 7/8" [2664MM]
10'-0" [3048MM]	13'-0" [3962MM]	10'-0 5/8" [3064MM]	12'-8" [3861MM]	9'-8 7/8" [2969MM]
11'-0" [3353MM]	14'-0" [4267MM]	11'-0 5/8" [3369MM]	13'-8" [4166MM]	10'-8 7/8" [3273MM]
12'-0" [3658MM]	15'-0" [4572MM]	12'-0 5/8" [3674MM]	14'-8" [4470MM]	11'-8 7/8" [3578MM]

- NOTES:
 1. THIS DWG CORRESPONDS WITH DWGS 1-1110 & 1-1130.
 2. SPECIFICATIONS SHOWN CAN BE CHANGED BY MASTER HALCO ONLY.



ANCHOR FENCE PRODUCTS
 by Master Halco
 Orange, CA
 Phone No.: 800-229-5615
 www.FenceOnline.com

TYPICAL HIGH FENCE WITHOUT BARBED WIRED
 DIMENSIONS & SPECIFICATIONS

BY:	JRR	DWG:	1-1000
DATE:	09-27-95	LAYER:	
REV:	C	SCALE:	1/4" = 1'-0"
REV DATE:	08-04-06		